

Point Source

MAIN APPLICATIONS

- Ideal for fixed installation
- Distributed background music:
 - Bar and restaurant
 - Conference rooms
 - Museums
 - Other hospitality venues

MAIN FEATURES

- 2-way coaxial
- 100W RMS recommended amplifier
- 4" low frequency woofer with 1.5" coil
- 1" high frequency driver with 1" coil
- 4-pin Euroblock in & thru connector
- HDF Wooden cabinet with scratch-resistant paint finish
- Dedicated installation bracket inside
- Installation bracket for multi-angle adjustment (optional)
- Available in black (code 45382) and white color (code 46172)



DESCRIPTION

The FBT KEIRON 4C two-way speaker system features lightweight wooden construction with a scratch-resistant paint finish. Available in black or white, the FBT KEIRON 4C is the smallest among the KEIRON series speakers, designed for fixed installations with an elegant design suitable for a wide range of applications. Incorporating a 4" coaxial low-frequency woofer with a 1.5" voice coil and a 1" high-frequency driver with a 1" voice coil coupled to a 90° H x 60°V dispersion, the FBT KEIRON 4C delivers low-distortion audio with an SPL level that exceeds expectations for such a compact solution, with a frequency range of 100Hz to 20kHz. The FBT KEIRON 4C provides high-fidelity sound for both speech and music applications, with a maximum SPL of 114dB. Dedicated installation brackets allow for the use of horizontally and vertically adjustable wall support.

TECHNICAL SPECIFICATIONS

GENERAL

Code	Black	45382
	White	46172
Configuration	way	2 coax
Low frequency woofer	inch	4 - 1.5 coil
High frequency driver	inch	1 - 1 coil

ACOUSTIC SPECIFICATIONS

Frequency response (@-6dB)	Hz	100 - 20k
Sensitivity (@1W/1m)	dB	91
MAX SPL (cont/peak)	dB	111 / 114
Dispersion	H° x V°	90 conical
Crossover frequency	kHz	3
Recommended HP filter	Hz - dB oct	90 - 24

INPUTS & OUTPUTS

Input connectors	4-pin Euroblock in & thru
------------------	---------------------------

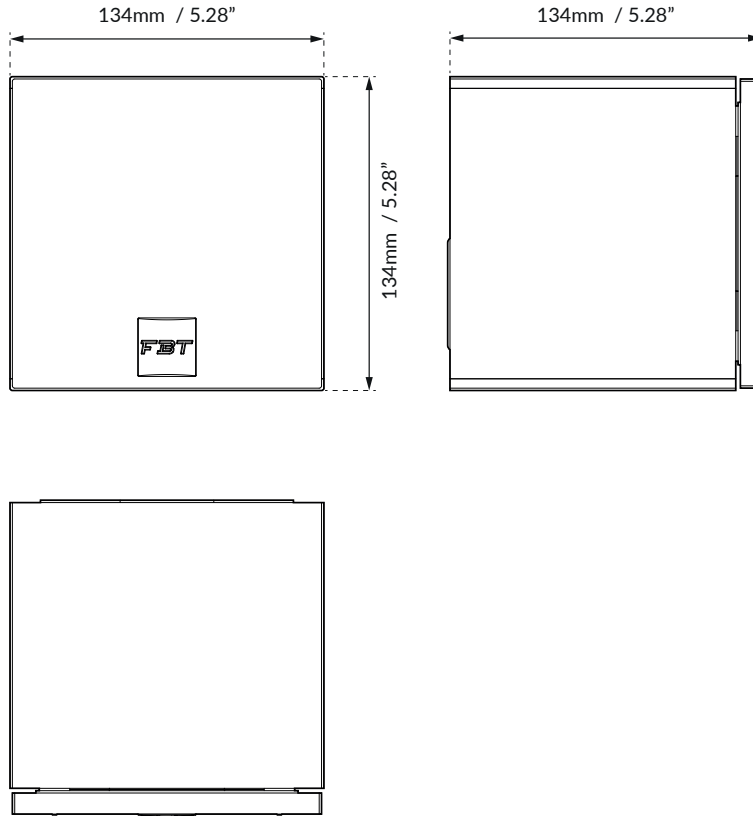
AMPLIFIER

Recommended amplifier	W RMS	100
Long term power	W	50
Short term power (IEC 268-5)	W	200
Nominal impedance	Ohm	16

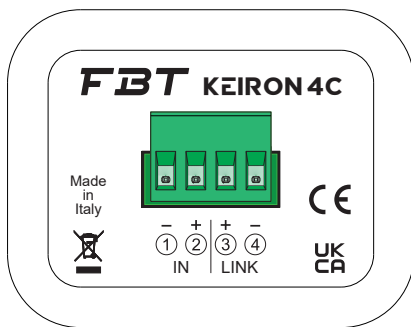
MECHANICAL SPECIFICATIONS

Material	Cabinet	HDF
	Grille	Fabric
Net dimensions (WxHxD)	mm	134 x 134 x 134
	inch	5.28 x 5.28 x 5.28
Transport dimensions (WxHxD)	mm	205 x 170 x 205
	inch	8.07 x 6.69 x 8.07
Net weight	kg	2.6
	lb	5.73
Transport weight	kg	3.1
	lb	6.83

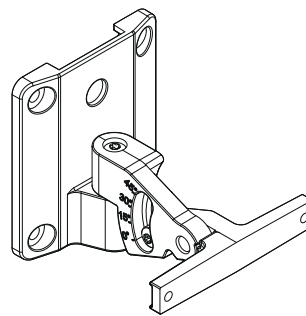
DIMENSIONAL DRAWING



CONTROL PANEL



ACCESSORIES



WM-45

Wall Metal Bracket
 Black code: 44855
 White code: 44864

90 x 90 x 92mm
 3.54 x 3.54 x 3.62inch