

JTS[®]

KA-10R/KA-10T/KA-8TH

WIRELESS **CAMERA**
SYSTEM

FC CE1856   

59508-027-03

Instruction Manual

Thank you for choosing the JTS wireless system. In order to obtain the best efficiency from the system, you are recommended to read this instruction manual carefully.

1. Important Caution	01
2. Features	01
3. Specification	02
3-1 Wireless Camera Receiver// KA-10R	02
3-2 Wireless Camera Transmitter// KA-10T	02
3-3 UHF PLL Handheld Transmitter// KA-8TH	03
3-4 Charger// TG-10CH2	03
4. Part Identification & Accessories	04
4-1 Wireless Camera Receiver// KA-10R	04
4-2 Wireless Camera Transmitter// KA-10T	04
4-3 UHF PLL Handheld Transmitter// KA-8TH	05
4-4 Charger// TG-10CH2	05
4-5 Accessories	05
5. Installation and Operation	06
5-1 Power On / OFF	06
5-2 Select Channel	06
5-3 Connect External Microphone	06
5-4 Mounting The KA-10R To A Camera	07
5-5 Connect The Receiver And The Camera	07
5-6 Charge Battery	07
5-7 System Notice	08
6. Important Notice	08

1. Important Caution

- Always make all connections before plugging the unit into an AC power outlet.
- Do not leave the devices in a place with high temperature or high humidity.
- Do not handle the power cord with wet hands !
- Keep the devices away from fire and heat sources.
- Please fully charge the battery 8 hours before first operation, and recharge if no use for over three months.

2. Features

The KA-10 system includes KA-10R, KA-10T, KAC50X/KAC150 cable, TG-10CH2, shoe mount adapter, and CM-201 microphone. It is designed for both professional and consumer video camera. The CM-201 provides omni directional pick up pattern to expand the coverage to mike a meeting.

- Lithium battery can goes for 14 hours which is useful for travel.
- UHF PLL 16 selectable frequency can render multi system application.
- Over 60 meter operation distance virtually meets all kinds of application.

3. Specification

3-1 Wireless Camera Receiver// KA-10R

Frequency Preparation.....	PLL Synthesized Control
Carrier Frequency Range...	502~960 MHz
LED Display.....	Channel
Controls.....	Power On/Off, Channel selection, Volume control
Audio Frequency Response	40~18,000 Hz
Output Connector.....	1/8" Dummy stereo Phone Jack
Battery Life.....	14 hours typical
Battery.....	Lithium cell (3.7V, 1300mAh)
Dimension(mm).....	54mm(W)* 17mm(D)* 99mm(H)

3-2 Wireless Camera Transmitter// KA-10T

Internal Microphone.....	Omni-directional Condenser Microphone
Frequency Preparation.....	PLL Synthesized Control
Carrier Frequency Range...	502~960 MHz
RF Outputs.....	10mW
Stability.....	± 10kHz
Frequency Deviation.....	± 48kHz
LED Display.....	Channel
Controls.....	Power On/Off, Channel selection, Volume control
Spurious Emissions.....	<-50 dBC
Audio Frequency Response	40~18,000 Hz
Microphone Input Connector	1/8" Mono Phone Jack
Battery Life.....	14 hours typical
Battery.....	Lithium cell (3.7V, 1300mAh)
Dimension(mm).....	54mm(W)* 17mm(D)* 99mm(H)

3-3 UHF PLL Handheld Transmitter// KA-8TH

Frequency Preparation.....	PLL Synthesized Control
Channel Number.....	16
Carrier Frequency Range...	502~960 MHz
RF Outputs.....	10mW
Stability.....	± 10kHz
Frequency Deviation.....	± 48kHz
LCD Display.....	Channel
Controls.....	Power On/Off, Channel Up/Down, Mute
Spurious Emissions.....	<-50 dBC
Audio Frequency Response	40~16,500 Hz
Battery.....	UM3, AA 1.5V*2

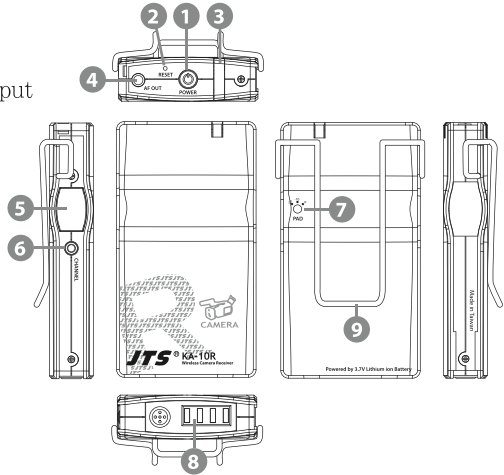
3-4 Charger// TG-10CH2

Number of Charging Slot....	2 (receiver or transmitter)
Power Requirement.....	12 VDC , 500mA
LED Indicator.....	Power connected: Flash green Charging : Green Full Charged: Turn off
Dimensions(mm).....	85mm(W)* 75mm(D)* 41mm(H)

4. Parts Identification & Accessories

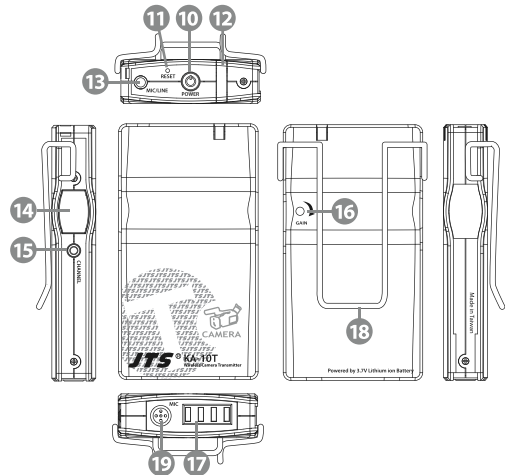
4-1 Wireless Camera Receiver// KA-10R

- 1 Power On/Off Switch
- 2 Reset Button
- 3 Power Indicator
- 4 Ø3.5 Dummy Stereo AF Output
- 5 Channel LED Display
- 6 Channel Selector
- 7 PAD (-20, -10, 0)
- 8 Charger Connector
- 9 Belt Clip



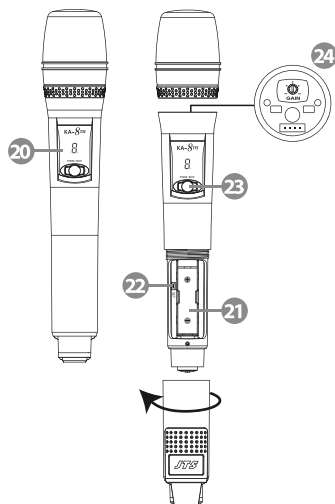
4-2 Wireless Camera Transmitter// KA-10T

- 10 Power On/Off Switch
- 11 Reset Button
- 12 Power Indicator
- 13 Ø3.5 Mono MIC/LINE Input
- 14 Channel LED Display
- 15 Channel Selector
- 16 GAIN
- 17 Charger Connector
- 18 Belt Clip
- 19 Built-in Microphone



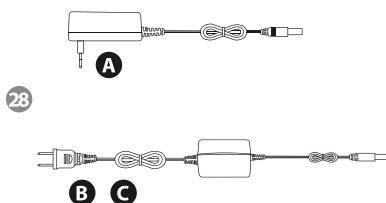
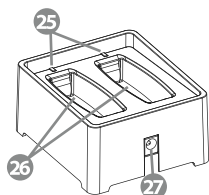
4-3 UHF PLL Handheld Transmitter// KA-8TH

- 20 Channel LED Display
- 21 Battery Tray
- 22 Channel Selector
- 23 Power On/Off/Mute Switch
- 24 GAIN



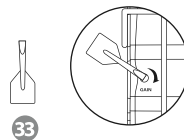
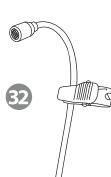
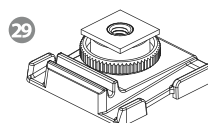
4-4 Charger// TG-10CH2

- 25 Charging Indicator
 - 26 Charger Slot
 - 27 DC Input
 - 28 AC/DC adaptor
- A** Switching Power Supply (100~240V, 50~60Hz)
B Linear Power Supply (220V, 50Hz) **Option**
C Linear Power Supply (220V, 60Hz) **Option**



4-5 Accessories

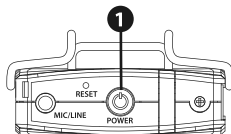
- 29 Shoe mount adapter
- 30 KAC50X camera cable
- 31 KAC150 camera cable
- 32 CM-201 omnidirectional lavalier microphone
- 33 Screwdriver



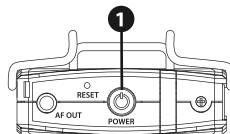
5. Installation and Operation

5-1 Power On / OFF

- (1) Power On: Press “Power Switch ❶” to turn on the power; the “Power Indicator” will light up.
- (2) Power Off: Hold “Power Switch ❶” for three seconds and release to turn off the power.



KA-10T



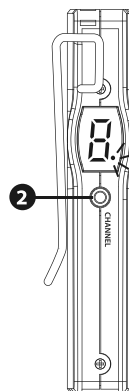
KA-10R

Notice

The “Power Indicator” will show green light when working normally, will turn red under low voltage.

5-2 Select Channel

Hold “Channel Selector ❷” for about 3 second, the decimal point in LED Display starts flashing, allowing you to change the channel. Then, cycling press “Channel Selector ❷” to select a desired channel from preset 16 channels. (0-9,A-F)



Notice1

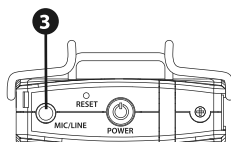
The channel of the transmitter (KA-10T) must match that of the receiver (KA-10R).

Notice2

The LED Display will stop flashing if no operation for about 6 seconds, and will turn off after 9 seconds.

5-3 Connect External Microphone

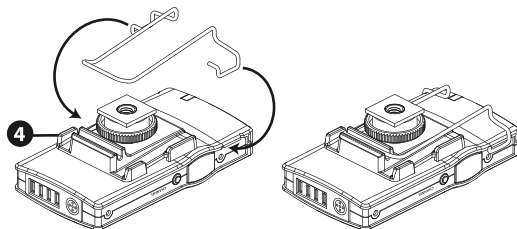
Plug “External Microphone” into KA-10T “MIC/LINE ❸”



KA-10T

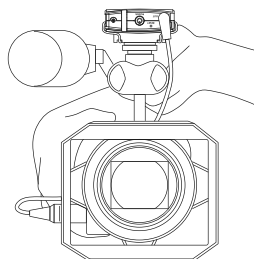
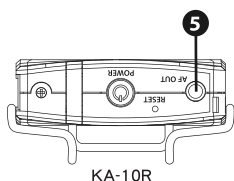
5-4 Mounting the KA-10R to a camera

Use the shoe mount adapter ④ to mount the KA-10R to the camera's flash mount.



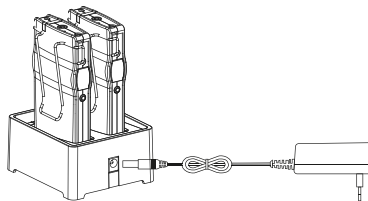
5-5 Connect the receiver and the camera

Plug $\varnothing 3.5$ plug of “KAC50X” camera cable into KA-10R “AF OUT ⑤” and XLR connector to the camera.



5-6 Charge Battery

Plug the KA-10T/KA-10R (Charger Connector faces down) into “Charger Slot” in TG-10CH2. The “Charging Indicator” will flash for seconds at beginning for initial testing, and then show green light when charging. It will turn off when the batteries are fully charged.



Notice 1

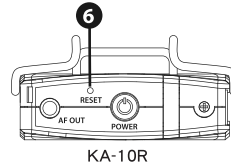
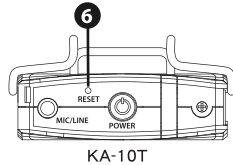
As soon as AC power is connected, the “Charging Indicator” will flash.

Notice 2

The “Charging Indicator” may turn flashing for self-testing during charging to protect batteries from being damaged.

5-7 System Notice

- (1) Reset Function: Using a small pin to push into “Reset Button **6**” to restore the default settings.



- (2) Power Saving Function: When the “Channel Selector” is unused for about 9 seconds, the “Channel LED Display” will turn off.

6. Important Notice

- (1) JTS offers wireless systems in a selection of bands that conform to the different government regulations of specific nations or geographic regions. These regulations help limit radio frequency (RF) interference among different wireless devices and prevent interference with local public communications channels, such as television and emergency broadcasts.
- (2) For information on bands available in your area, consult your local dealer or phone JTS. More information is also available at JTS’ s website (www.jts.com.tw).
- (3) This Radio apparatus may be capable of operating on some frequencies not authorized in your region. Please contact your national authority to obtain information on authorized frequencies and RF power levels for wireless microphone products.