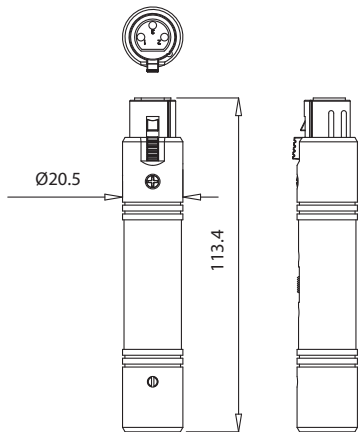
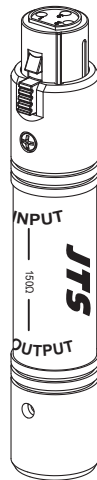


Specifications



JTS®

MA-HPF High Pass Filter



JTS® PROFESSIONAL CO., LTD

No. 148, 9th Industry Road, TaLi Industry Park.,
Taichung City 41280, Taiwan (R.O.C.)

TEL: 886-4-24938803 FAX: 886-4-24914890

E-mail: jts@jts.com.tw

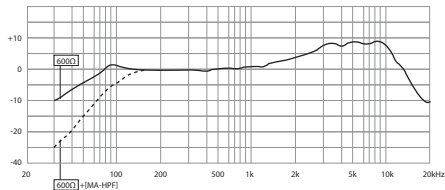
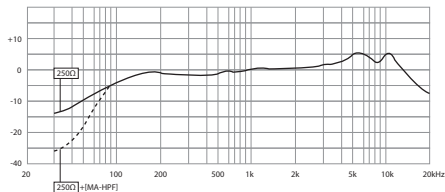
www.jts.com.tw



59010-604

Features

- * Reduce unwanted noise at low end in microphone signal.
- * Provides low cut of 12dB per octave below 100Hz
- * Slender, in-line XLR (F) to XLR (M) configuration
- * Full metal case optimizes shielding from hum



Specifications

Impedance

Designed for 150 ohm rated microphones and inputs

Distortion

Input:-30dB/1KHz <0.025%

Input:-30dB /100Hz <0.25%

Input:-30dB /60Hz <0.45%

Connectors

Input: XLR (Female)

Output: XLR (Male)

Dimensions(mm) : 20.5(W)mm*23.5mm(H)*113.4mm(D)

Weight : 45g

