

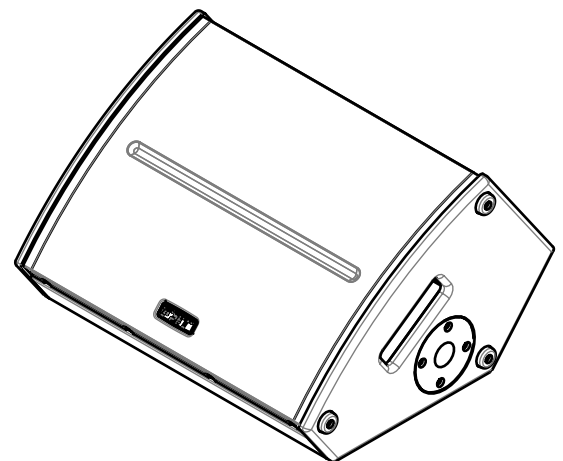
APPLICATIONS

- Live sound reinforcement floor monitor
- Clubs, Auditoriums, Theatres
- House of worship
- DJ booth monitor
- Medium band P.A.
- Sidefill monitor for small-to-medium-scale applications



KEY FEATURES

- 2-way bi-amplified bass-reflect design
- Woofer custom 12" / 2.5" voice coil
- 1" throat / 1.4" voice coil HF compression driver
- 1200/300W HF class D amplifier
- Bluetooth 5.0
- 3 channels mixer
- 4 DSP presets
- Box in plywood with anti-scratch treatment



PRODUCT DESCRIPTION

The new X-PRO 112MA monitor is part of the wide range of the XPRO series, renewed with the redesign of all the electronics that allowed to increase the power and add important innovations. The control panel features a three-channel mixer with two micro-line inputs, a stereo input and a dedicated channel for bluetooth 5.0; two xlr inputs, stereo input, xlr output with ch1 or mix link selector, hp filter, two mic-line selectors, dsp preset selector, bluetooth 5.0 with pairing led. The use of BLUETOOTH 5.0 (compatible with previous versions) for streaming audio from smartphone / tablet that allows the simultaneous recognition of two speakers with the possibility of controlling their volume remotely, in addition to the use of more performing speakers capable of generating a very high sound pressure, very low distortions and an incredibly natural sound. Also new is the "power unit" equipped with a switching power supply with automatic voltage change; an internal ventilation system, with intelligent control of the number of revolutions, allows the operating temperatures of the amplifier to be kept low, guaranteeing its silence. The XPRO 112MA speaker is built in plywood, equipped with two integrated handles; the stand insert allows its use also on a stand support or in any case in a free field.

ELECTRONIC SPECIFICATIONS

System Types	2 way
Internal Amplifiers* max. LF/HF	1200/300 W
Input Impedance	22 kOhm
Frequency Response	54Hz - 20KHz
Maximum SPL (cont. / peak**)	124/129 dB
Dispersion	80°
AC Power Requirement	500 W

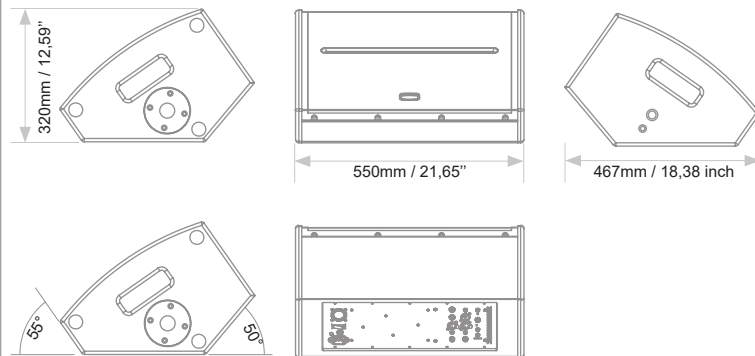
PHYSICAL SPECIFICATIONS

Low Frequency Woofer	12- 2.5 coil
High Frequency Driver	1 - 1.4 coil
Input Connectors	XLR IN/OUT JACK ST
Net Dimensions (WxHxD) inch	21,65 x 12,59 x 18,38
	mm
Net Weight	35,27 lbs / 16 Kg
Enclosure Material	Plywood
Power Cord	16,4ft / 5mt

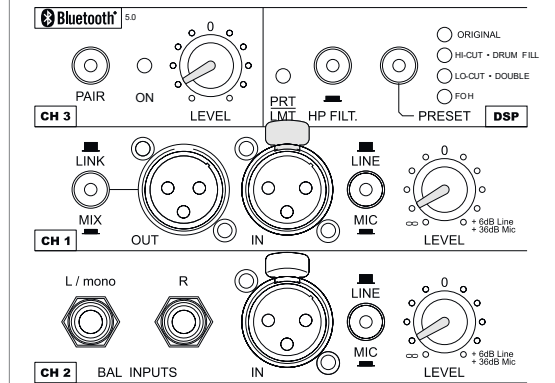
* Max.: 2mS burst, rms power on nominal speaker impedance

**Peak SPL: free space, based on max. peak power amp rating and system peak sensitivity, 10mS time average

DIMENSIONAL DRAWINGS



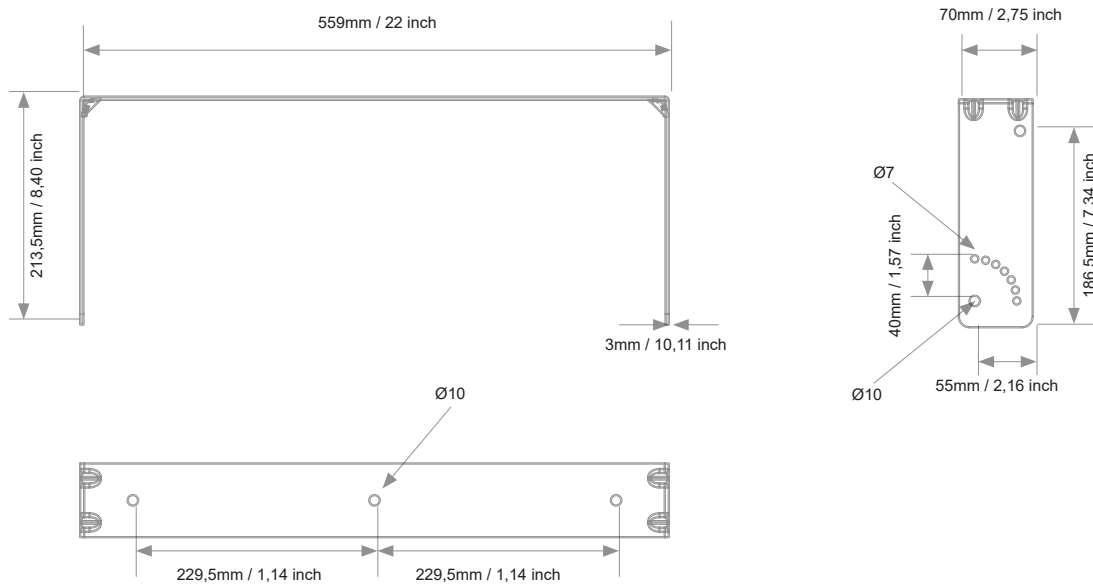
CONTROL PANEL



ACCESSORIES

XPUH112M

Wall metal bracket to mount in horizontal position



XP-C112M

Nylon cover

