



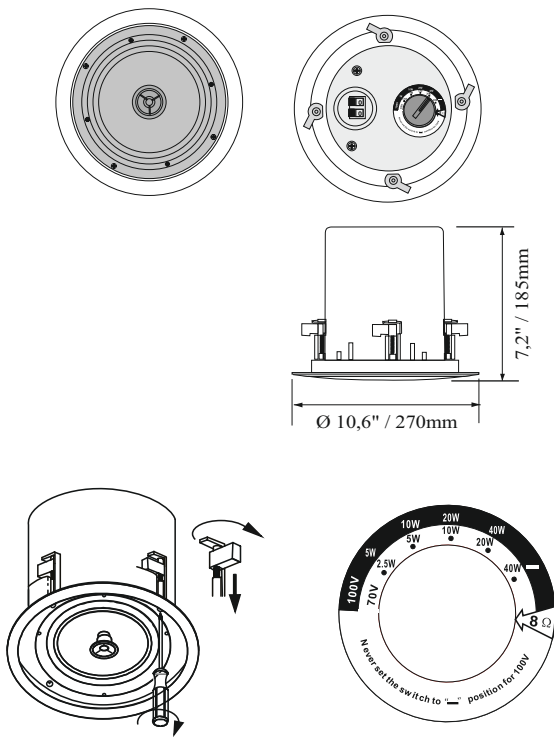
Description

The CSL 840 TIC ceiling speaker has a body made of ABS and a metallic front grille. The particular fixing system allows to reduce considerably the installation time.

CSL 840 TIC
IN-CEILING SPEAKER



Technical drawings



Technical data

General Specification	
Frequency Response	50-18KHz
Sensitivity(1M/1W)	88±3dB
S.P.L.	102dB at 100V 10W
Rated power	40W
Power Taps	40W/20W/10W/5W&8 Ω
Line input	100V/70V
Hole for mounting	$\text{Ø}240\text{mm}$
Dimension(L*W*H)(mm)	$\text{Ø}270*185$
Physical Specification	
Material(panel)	ABS (white ral 9016)
Material(cover)	IRON
Grille	Powder Coated Iron Mesh(ral 9016)
Component(L.Speaker)	8" PP Woofer(foam edge)
Component(H.Speaker)	1/2" Mylar
Finished Colour	White ral 9016
Unit Weight	3.05Kg
Gross Weight	16Kg/4PCS
Packing Dimension	64*34*49cm
Woofer Speaker Specification	
Voice Coil Size	ASV $\text{Ø}25.9*0.17*2$ Layer
DC Impedance	7.2 Ω
Former	ASV
Magnet	Ferrite(619g) $\text{Ø}100*\text{Ø}45*20(\text{Y}25)$
Basket	Iron
Cone Material	PP
Spider	Cloth
Net Weight	1.4Kg

Diagrams

