

ST-6000

Integrated Gooseneck Microphone

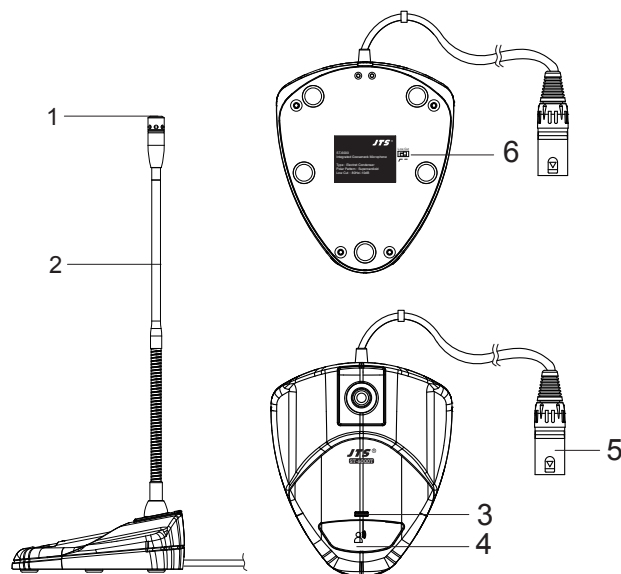
Thanks for choosing JTS ST-6000 Gooseneck Microphone. In order to obtain the best efficiency, you are recommended to read this manual before applying.

FEATURES

The ST-6000 is newly developed gooseneck microphone. The microphone is built with extra solid metal and isolates vibration and touch noise effectively. Membrane switch virtually eliminates switch noise. Low cut circuit makes installation easier.

PARTS IDENTIFICATION

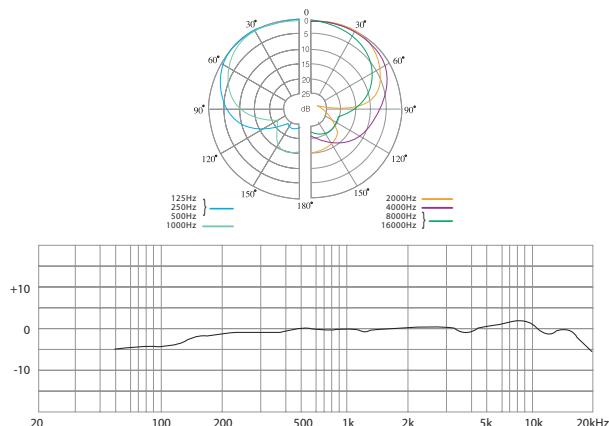
1. Capsule
2. Gooseneck
3. LED Indicator
4. ON / OFF Switch
5. 3P XLR-Male Connector
6. Low Cut : 80Hz/-10dB



SPECIFICATION

Phantom Power	12~48 V
Current Consumption(Stand-by)	< 3.5mA
Frequency Response	80~18,000Hz (+/-3dB)
Output Connector	Cable with 3-pin male XLR
Polar pattern	Supercardioid
Function Selection	Push ON/OFF, Low Cut
Base Dimension	116mm(W)*29mm(H)*138mm(D)
Gooseneck length	400 mm
Net Weight	748 grams

Supercardioid



DIMENSIONS

