



PWM  
AMPLIFIER



SWITCH MODE  
POWER SUPPLY



NEODYMIUM  
WOOFER



DIGITAL  
PROCESSOR



LIGHTWEIGHT



HARDWARE FOR  
PERMANENT  
INSTALLATION

### APPLICATIONS

- School and corporate audio visual sound reinforcement
- Background music/announcement: Restaurants, Pubs
- Transportation terminals, Clubs, Auditorium, Theatres, Gyms, Houses of worship
- Suitable for low frequency extension and reinforcement of the CLA 604A array, especially for live performance

### FEATURES

- Active subwoofer in bass-reflex design
- 15mm birch plywood enclosure
- 2 x 8" custom high excursion woofer with 2" voice coil
- Class D 600W RMS amplifier with switch mode power supply
- DSP processor with 4 presets
- Neutrik Powercon in & link
- M20 stand adapter
- 2 integrated handles
- Completely Manufactured in Italy



### PRODUCT DESCRIPTION

The FBT VERTUS CLA 208SA processed active subwoofer is the perfect low frequency extension and reinforcement of the CLA 604A array. The FBT VERTUS CLA 208SA shall meet the following performance criteria: frequency response of 50Hz to 200Hz, maximum SPL of 129dB, Class D 600W RMS amplifier with switch mode power supply, 2 x 8" custom high excursion woofers with 2" voice coil. The FBT VERTUS CLA 208SA provides a DSP processor with 4 available presets. The FBT VERTUS CLA 208SA feature 15mm birch plywood construction and the front shall be protected by a heavy duty metal grille. The control panel provides combo XLR/jack stereo in & link, XLR Hi-pass out stereo, volume, preset, 0°-180° phase switch, 3 status led, Neutrik powercon in & link. The rapid latching system with pins on front serves as the base support for the CLA 604A column speaker for the expansion of the system to form a unified column with an absolute and coherent source integration.

### ELECTRICAL PERFORMANCE

System Type:	bass reflex
Built-in Amplifier*	cont: 400W RMS max: 600W RMS peak: 1200W RMS
Frequency Response @ -6dB	50Hz - 2000Hz
Input Impedance	22k Ohm
Maximum SPL (continuous/peak) **	125dB / 129dB half-space
Dispersion	omnidirectional
Crossover Frequency	0.15kHz
AC Power Requirement	450 VA

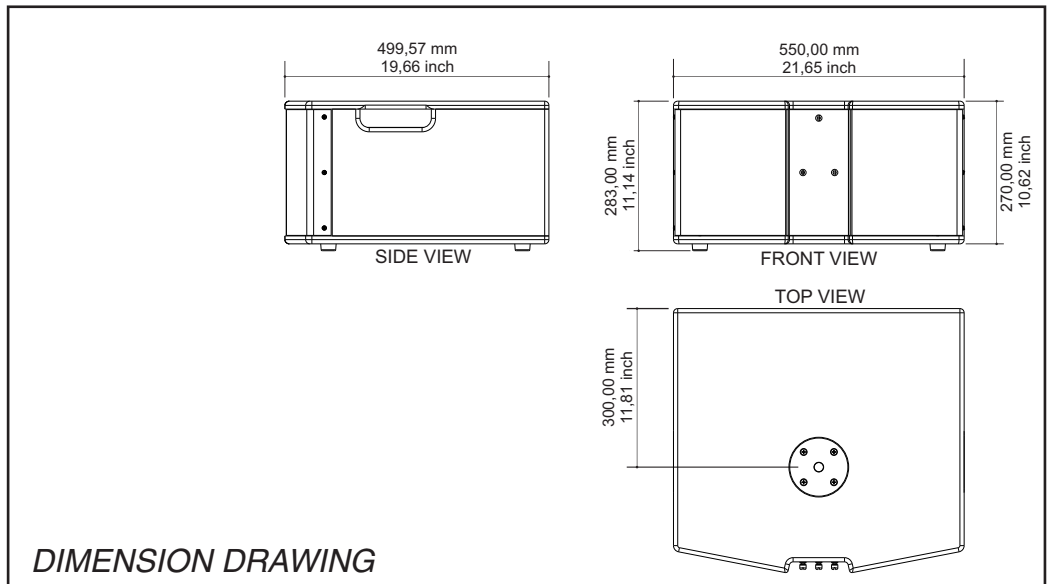
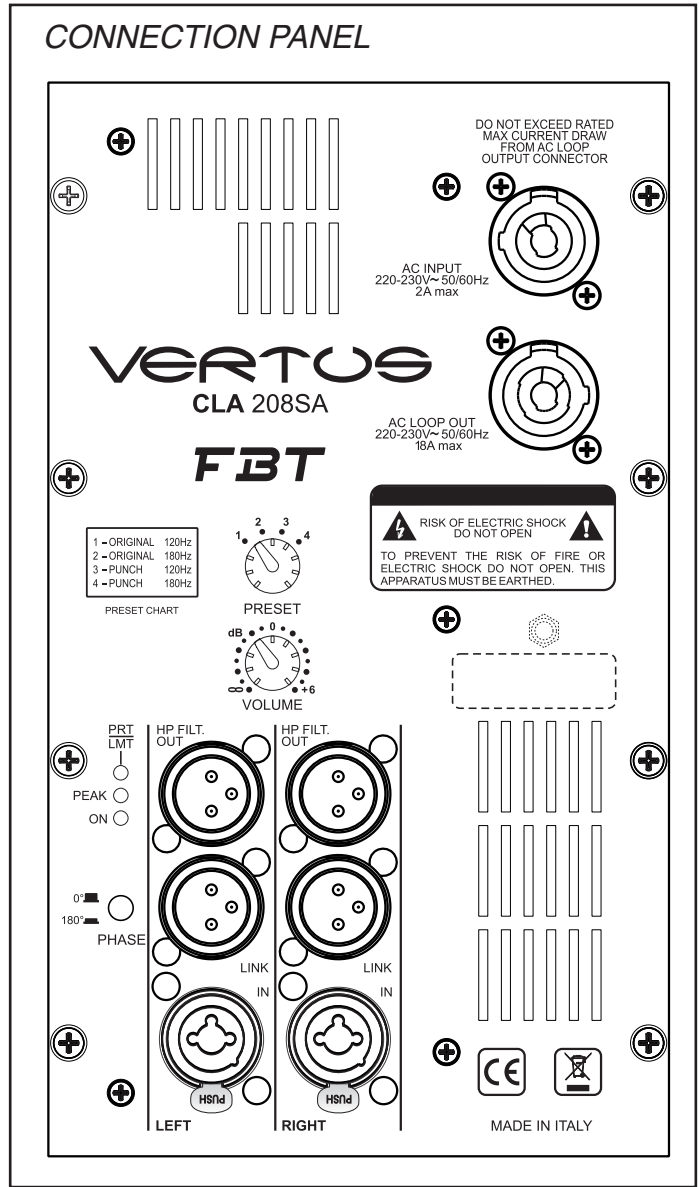
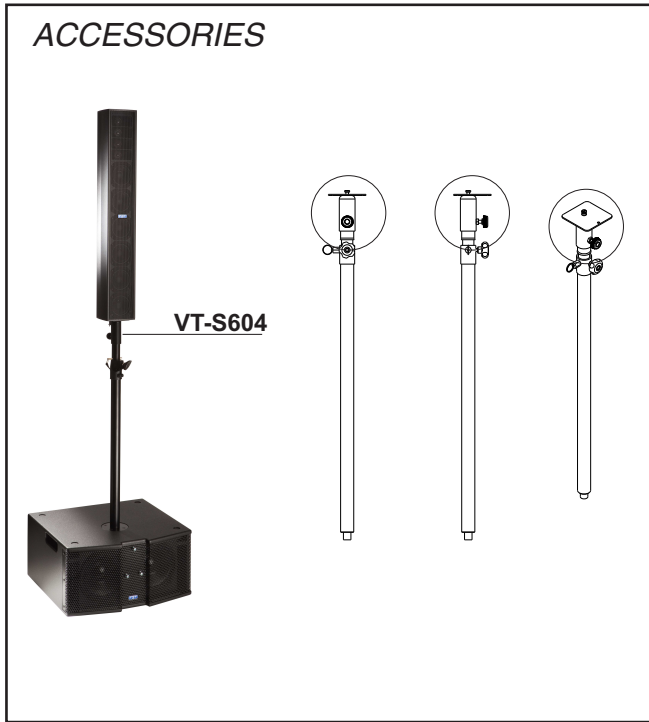
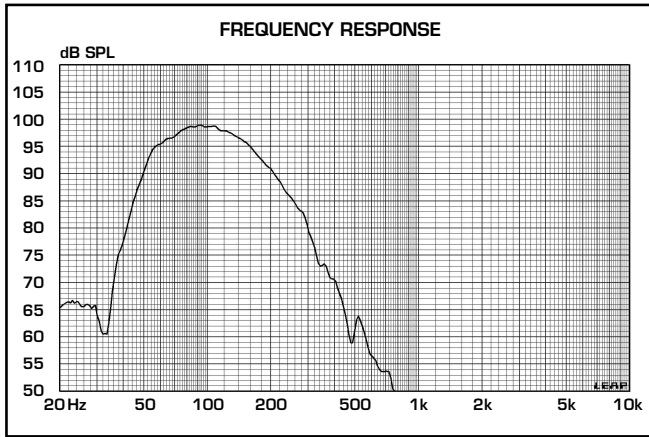
\* CONT: 500mS, RMS power on nominal speaker impedance  
MAX: 2mS burst, RMS power on nominal speaker impedance  
MAX PEAK: based on max peak output voltage and nominal speaker impedance

\*\* CONT. SPL: half space, based on continuous power amp rating and LF transducer average sensitivity data, 125mS time average  
PEAK SPL: half space, based on max peak power amp rating and system peak sensitivity, 10mS time average

### PHYSICAL

Low Frequency Woofer	2 x 8" - 2" coil
Input Connectors	stereo XLR with loop
Net Dimensions (WxHxD)	21.7" x 10.6" x 19.79" 550 x 270 x 500mm
Shipping Dimensions (WxHxD)	27.16" x 14.56" x 24.60" 690 x 370 x 625mm
Net Weight	44.09 lbs / 20 kg
Shipping Weight	51.80 lbs x 23.5 kg
Enclosure Material	birch plywood





### APPLICATIONS

- School and corporate audio visual sound reinforcement
- Background music/announcement: Restaurants, Pubs
- Transportation terminals, Clubs, Auditorium, Theatres, Gyms, Houses of worship
- Ideal for both live applications, assisted by the CLA 208SA active subwoofer, as well as for fixed installation

### FEATURES

- 2 way bi-amplified line array column
- Extruded-aluminum powder coated cabinet
- High level sound quality
- Long distance sound projection
- 6 x 4" custom woofer with 1" voice coil
- 4 x 1" neodymium dome tweeter on waveguide
- Class D 400W RMS amplifier for LF
- 100W RMS for HF with switch mode power supply
- DSP processor with 4 presets
- 100°H x 20°V dispersion
- Completely Manufactured in Italy



PWM  
AMPLIFIER



SWITCH MODE  
POWER SUPPLY



NEODYMIUM  
WOOFER



DIGITAL  
PROCESSOR



LIGHTWEIGHT



HARDWARE FOR  
PERMANENT  
INSTALLATION



### PRODUCT DESCRIPTION

The FBT VERTUS CLA 604A two-way bi-amplified speaker system incorporates 6 x 4" custom woofer with 1" voice coil and 4 x 1" neodymium dome tweeter on waveguide. The internal Class D amplification, 400W for woofers, 100W for tweeters and DSP processor with 4 equalization presets provide unexpected dynamics in a system of these dimensions. The FBT VERTUS CLA 604A shall meet the following performance criteria: frequency response of 130Hz to 20kHz, maximum SPL of 125dB. The FBT VERTUS CLA 604A provides a DSP with 4 EQ presets. The FBT VERTUS CLA 604A feature an extruded aluminum construction and the front shall be protected by a heavy duty metal grille. The control panel provides volume, preset, HP filter, sources switch, 3 status led ( on, peak, prt/limit ), XLR input and Neutrik Powercon supply input at the lower part of the column and XLR link and Neutrik Powercon loop out at the higher part. Superior as well as inferior latching system, enables the extension of the length of the line array adding CLA 604A modules for a greater modularity of the system and possibility to angle the columns of  $\pm 30^\circ$  on the horizontal plane. The rapid latching system with pins allows for the expansion of the system, doubling-up CLA 208 SA modules to form a unified column with an absolute and coherent source integration.

### ELECTRICAL PERFORMANCE

System Type	2 way bi- amplified
Built-in Amplifiers LF / HF *	cont.: 350W RMS / 80W RMS max.: 400W RMS / 100W RMS peak.: 800W / 200W
Frequency Response @ -6dB	130Hz - 20kHz
Input Impedance	22kOhm
Maximum SPL ( cont. / peak ) **	122dB / 125dB
Dispersion	100° H x 20° V
Crossover Frequency	2.5 kHz
AC Power requirement	450 VA

### PHYSICAL

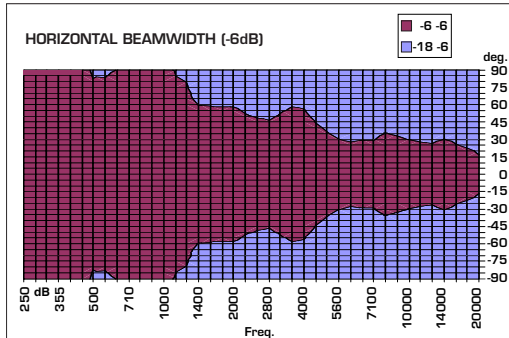
Low Frequency Woofer	6 x 4" - 1" coil
High Frequency Driver	4 x 1" - 1" coil
Input Connectors	XLR with loop
Net Dimensions (WxHxD)	5.12" x 33.1" x 5.12" 130 x 841 x 130mm
Shipping Dimensions (WxHxD)	8.66" x 36.61" x 8.66" 220 x 930 x 220mm
Net Weight	19.84 lbs / 9 kg
Shipping Weight	25.35 lbs / 11.5 kg
Enclosure Material	aluminum
Power cord	16.4 inch / 5 mt.

\* CONT.: 500mS, rms power on nominal speaker impedance  
MAX.: 2mS burst, rms power on nominal speaker impedance  
MAX PEAK: based on max peak output voltage and nominal speaker impedance

\*\* CONT. SPL: free space, based on continuous power amp rating and LF transducer average sensitivity data, 125mS time average  
PEAK SPL: free space, based on max peak power amp rating and system peak sensitivity, 10mS time average

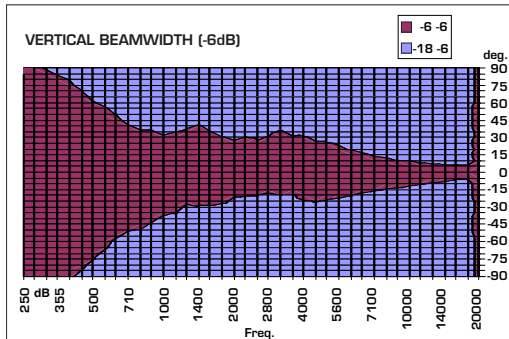
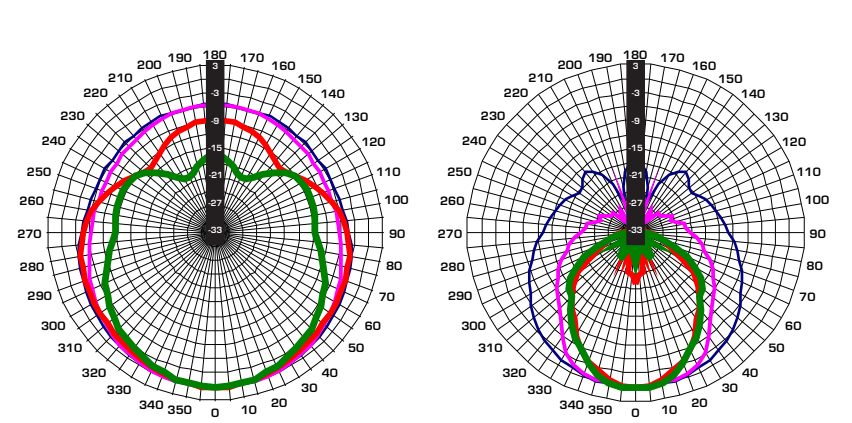


## DIAGRAMS



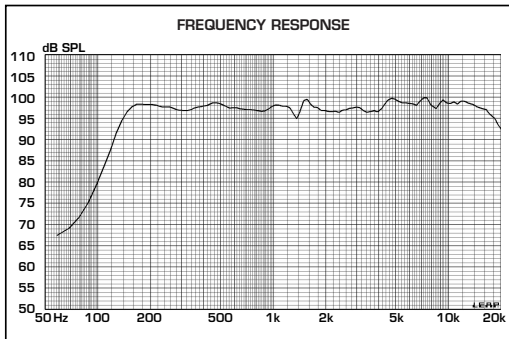
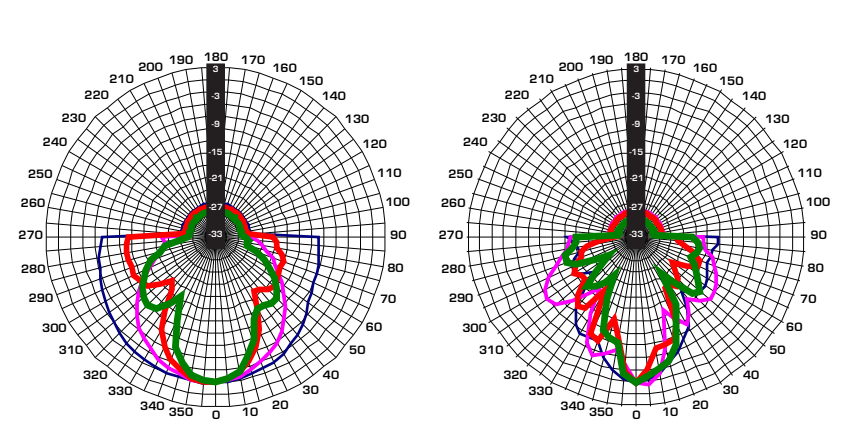
**HORIZONTAL POLAR DIAGRAM**

Legend: 250 (blue), 500 (magenta), 1000 (red), 2000 (green), 4000 (dark blue), 8000 (cyan), 12500 (orange), 16000 (dark green)



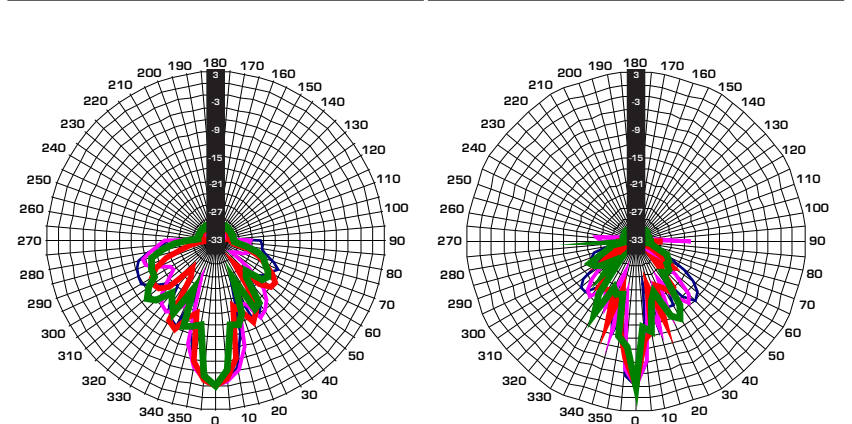
**VERTICAL POLAR DIAGRAM**

Legend: 250 (blue), 500 (magenta), 1000 (red), 2000 (green), 1400 (dark blue), 2000 (cyan), 2500 (orange), 3150 (dark green)

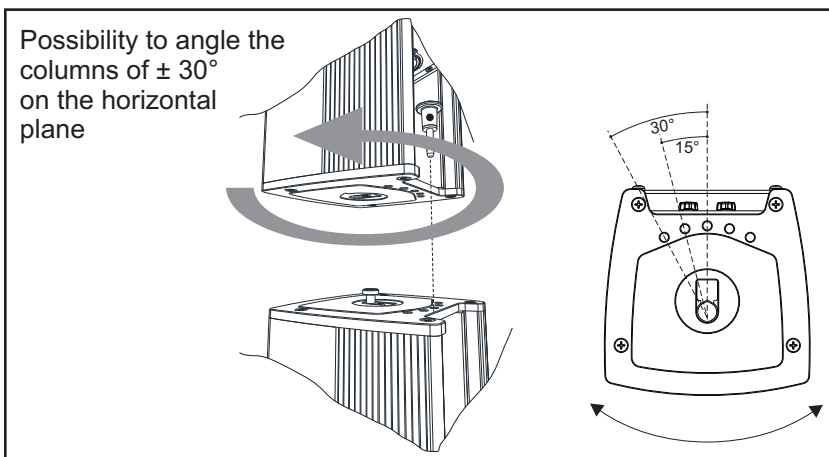
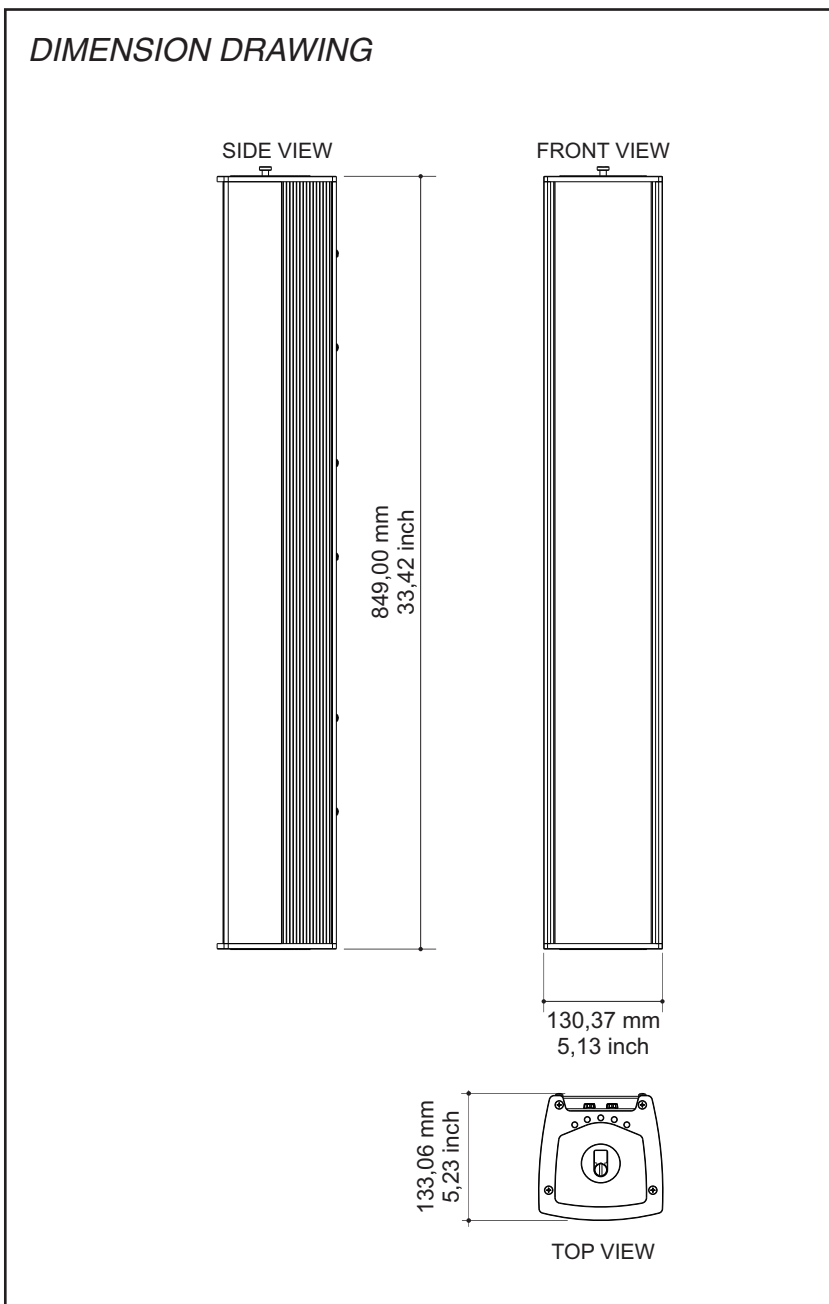
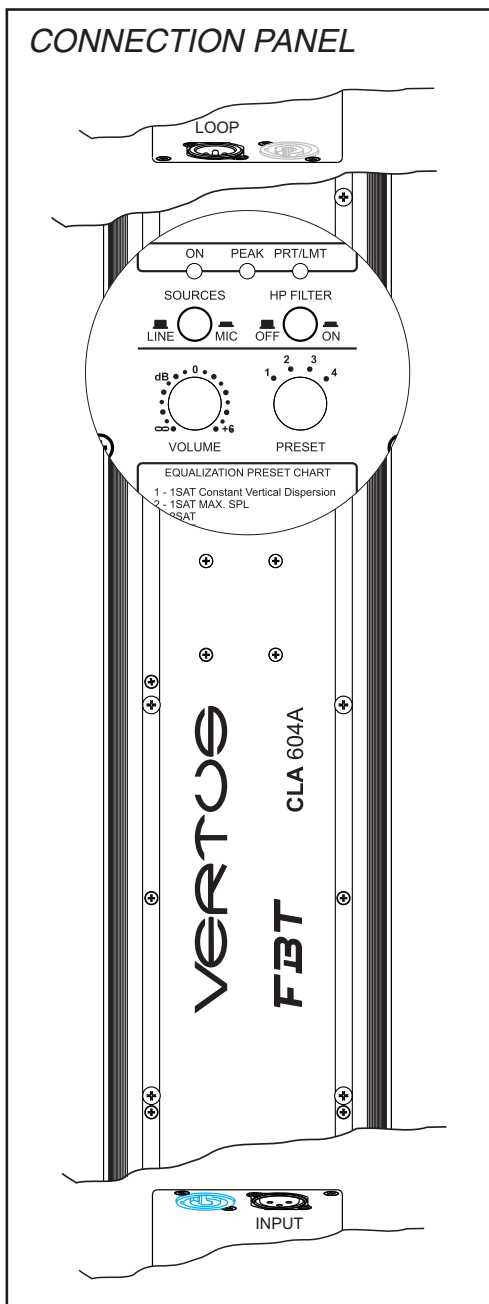


**VERTICAL POLAR DIAGRAM**

Legend: 4000 (blue), 5000 (magenta), 6300 (red), 8000 (green), 9000 (dark blue), 10000 (cyan), 12500 (orange), 14000 (dark green)







### ACCESSORIES

